



## INSTRUCTIONS

### SECURE CERTIFICATE OF INDIAN STATUS (SCIS)

#### APPLICATION FOR ALREADY REGISTERED PERSONS

#### ADULTS (16 YEARS OF AGE OR OLDER), CHILDREN (15 YEARS OF AGE OR YOUNGER) AND DEPENDENT ADULTS

---

#### GENERAL INFORMATION

- ▶ This guide is for already registered persons who are submitting an application to obtain the Secure Certificate of Indian Status ([form 83-172E](#)).
- ▶ To obtain forms, visit [www.canada.ca/indian-status](http://www.canada.ca/indian-status), or call 1-800-567-9604.
- ▶ To complete the application, you may need to include a [Guarantor Declaration \(form 83-169E\)](#) or a [Statutory Declaration in Lieu of Guarantor \(form 83-170E\)](#).

A guarantor is a person who can confirm the identity of the adult applicant (16 years of age or older) or the identity of the parent or legal guardian who is applying for a child (15 years of age or younger) or a dependent adult. A guarantor must meet the criteria detailed on the Guarantor Declaration form.

If a Guarantor Declaration is needed, you must submit the form with the **signature of the guarantor**.

If an eligible guarantor is not available, the adult applicant or the applying parent / legal guardian must provide two (2) references who can confirm his/her identity. The Statutory Declaration in Lieu of Guarantor must be completed and signed before a commissioner for oaths, notary public or lawyer.

---

#### HOW TO SUBMIT THE APPLICATION

##### IN PERSON:

- At the regional office nearest you. As an appointment may be required, it is recommended that you call ahead of time.
- For the list of regional offices, visit [www.canada.ca/indian-status](http://www.canada.ca/indian-status), or call 1-800-567-9604.

##### BY MAIL:

- If you send the application by mail, you must include a Guarantor Declaration form with the **signature** of the guarantor.
- The guarantor must sign and date the photocopies of the front and back of your identity document(s).
- The guarantor must also sign and date the back of one (1) of the two photos and write the statement “this is a true likeness of (name of adult, child or dependent adult)”.

Send the application to:

**National SCIS Processing Unit**  
**10 Wellington Street**  
**Gatineau, Quebec K1A 0H4**



## PHOTO SPECIFICATIONS

- ▶ You must provide two (2) identical and unaltered Canadian passport-style photos, taken within the last twelve (12) months of the date of this application.

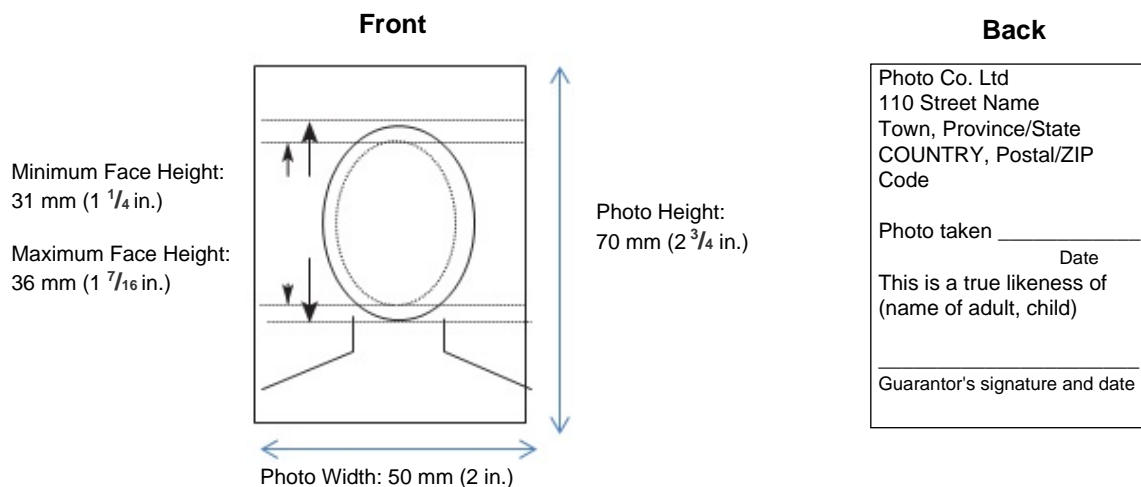
**Note:** U.S. passport photo specifications do not meet SCIS photo requirements.

**The photos must meet the following requirements:**

- Photo size: 50 mm wide x 70 mm high (2 inches wide x 2 3/4 inches high).
- The face, from chin to crown of the head, must measure between 31 and 36 mm (1 1/4 inch and 1 7/16 inch).
- Photos must be originals and not taken from an existing photograph.
- Photos must be printed on plain, high quality photographic paper. Heavyweight paper is not acceptable.
- The image must be clear, sharp and in focus. Photos can be in color or black and white.
- Facial features must appear clearly against a white or light-coloured background.
- Photos must be taken with uniform lighting without shadows, glare or flash reflections.
- The photo must show a full front view of the face and top of the shoulders squared to the camera, and centered in the photo.
- The face must show a neutral expression (mouth closed, eyes open and clearly visible).
- Glasses, including tinted prescription glasses, may be worn as long as the eyes are clearly visible and there is no glare on the face or glasses. Sunglasses are not acceptable.
- Hats and other head coverings must not be worn, except for religious or medical reasons. If worn, the hat or other head covering must not cast shadows on the face and the full face must be clearly visible.
- For a child, the photo must show the child's head and shoulders only. Parent's or child's hands must not appear in the photo.
- For newborns, the photo may be taken while the child is sitting in a car seat, as long as a white blanket is placed over the seat behind the child's head.

**The following must appear on the back of one (1) photo:**

- The name and address of the studio or person who took the photo, and the date the photo was taken (not the date the photo was printed).
- If you are submitting the application by mail, your guarantor must sign, date, and write the statement: "this is a true likeness of (name of adult, child, dependent adult)".



**Image is not the actual size (refer to specified measurements)**



---

## ADULT (16 YEARS OF AGE OR OLDER) APPLICATION

---

**Note:** SCIS is the abbreviation for Secure Certificate of Indian Status.

---

### Instructions for a Simplified Renewal

**If you meet these four (4) conditions:** **1)** you were 16 years of age or older when you last applied for an SCIS; **2)** your personal information has not changed (name and/or band affiliation); **3)** your SCIS has not been revoked or reported lost, stolen, damaged or destroyed; and **4)** this application is made no later than 12 months past the renewal date indicated on your SCIS:

1. Complete sections 1, 3, 5; **please sign and date section 6**; complete section 7, if applicable.

**Note:** The **gender identifier** selected on the application form does not need to match the gender identifier listed on the documents submitted with your application. The gender identifier is recorded on the Indian Register as *Male*, *Female* or *Another Gender* and displayed on the Secure Certificate of Indian Status as *M*, *F* or *X*.

2. Include two (2) Canadian passport-style **PHOTOS** (refer to photo specifications).
3. Include your SCIS as your **IDENTITY DOCUMENT (section 3)**. No other identity document is required.
4. **If submitting the application in person**, it is recommended that you bring your SCIS with you; a copy will be made on site and you will retain your SCIS. A copy of your SCIS is acceptable if you include a Guarantor Declaration form and the guarantor signs and dates the copy of the front and back of your SCIS (recommended if you send the application by mail).

**If submitting the application by mail**, the guarantor must also sign and date the back of one (1) photo and write the statement “this is a true likeness of (your name)”.

---

### Instructions for All Other Adult Applications

1. Complete all applicable sections of the form; **please sign and date section 6**.

**Note:** The **gender identifier** selected on the application form does not need to match the gender identifier listed on the documents submitted with your application. The gender identifier is recorded on the Indian Register as *Male*, *Female* or *Another Gender* and displayed on the Secure Certificate of Indian Status as *M*, *F* or *X*.

2. Include two (2) Canadian passport-style **PHOTOS** (refer to photo specifications).
3. Include your **IDENTITY DOCUMENT(S) (section 3)**. Select ONE of the following five options based on the documents that you have.  
Option 1 - ONE (1) document that contains your name, date of birth, photo and signature, among these: **1)** passport; **2)** driver's licence; **3)** Canadian military identification document; **4)** identification card issued by a province or territory; **5)** provincial, territorial or federal Correctional Services identity document (with or without a signature); **6)** health card issued by a province or territory if it shows your name, date of birth, photo and signature; **7)** Canadian citizenship card issued prior to February 1, 2012; **8)** Canadian permanent resident card with signature (issued before February 4, 2012); **9)** U.S. permanent resident card. **Your identity document must not be expired.**  
Option 2 - More than one of the following documents that, when combined together, contain your name, date of birth, photo and signature: **1)** health card issued by a province or territory; **2)** government employee identification card; **3)** Canadian permanent resident card without signature (issued after February 4, 2012); **4)** U.S. passport card; **5)** NEXUS or FAST card; **6)** firearms license; **7)** U.S. Old Age Security card. **Your documents must not be expired.**  
Option 3 - Your Secure Certificate of Indian Status (SCIS) and one (1) identity document listed under option 2 **OR** your SCIS and a Guarantor Declaration form. You may use your SCIS only if this application is submitted no later than 12 months past the renewal date indicated on your SCIS.  
Option 4 - Your Certificate of Indian Status (CIS) and one (1) identity document listed under option 2 **OR** your CIS and a Guarantor Declaration form. You may use your CIS only if this application is submitted no later than 6 months past the expiry date indicated on your CIS.  
Option 5 - ONE (1) identity document listed under option 2 and a Guarantor Declaration form. The guarantor must sign and date the back of one (1) photo.  
**Note:** You may include your original identity document(s) (recommended if submitting your application in person) **OR** a copy of the front and back of your identity document(s) and a Guarantor Declaration form (recommended if you send the application by mail). The copies must be signed and dated by the guarantor.
4. Include **NAME-LINKING DOCUMENT(S) (section 4)**, if applicable. If you changed your name, a legal document linking your previous name with your current name must be provided, such as a name change certificate, a marriage certificate, a divorce order, or an amended birth certificate with your current name and the names of your parents. If name-linking documents were provided previously, you do not need to provide them again.

You may include an original name-linking document **OR** a copy of the name-linking document and a copy of a government-issued identity document with your current name (for example, a driver's licence).

5. **If submitting the application by mail**, include a Guarantor Declaration form and follow the instructions on page 1.



## CHILD (15 YEARS OF AGE OR YOUNGER) / DEPENDENT ADULT APPLICATION

**Note:** SCIS is the abbreviation for Secure Certificate of Indian Status.

1. Complete all applicable sections of the form; **please sign and date section 6.**

**Note:** The **gender identifier** selected on the application form does not need to match the gender identifier listed on the documents submitted with your application. The gender identifier is recorded on the Indian Register as *Male*, *Female* or *Another Gender* and displayed on the Secure Certificate of Indian Status as *M*, *F* or *X*.

2. Include the required documents for the child or dependent adult:

- Two (2) Canadian passport-style **PHOTOS** (refer to photo specifications).
- Copy of the most recent **LEGAL DOCUMENTS** (such as a divorce judgment, separation agreement, custody or guardianship order) proving custody or guardianship of the child to the applying parent/guardian. If there are legal documents, they must be provided.
- Copy of the **ORDER OF GUARDIANSHIP** for the dependent adult.
- **NAME-LINKING DOCUMENT(S) (section 4)**. If the name of the child or dependent adult has changed, a legal document linking the previous name with the current name of the child or dependent adult must be provided, such as a name change certificate or an amended birth certificate with the current name and the names of the parents. If name-linking documents were provided previously, you do not need to provide them again.

You may include an original name-linking document **OR** a copy of the name-linking document and a copy of a government-issued identity document with the current name of the child or dependent adult (for example, a health card).

3. Include the parent's or legal guardian's **IDENTITY DOCUMENT(S) (section 3)**. Select ONE of the following five options based on the documents that you have.

Option 1 - Your Secure Certificate of Indian Status (SCIS) if this application is submitted no later than 12 months past the renewal date indicated on your SCIS.

Option 2 - Your Certificate of Indian Status (CIS) if this application is submitted no later than 6 months past the expiry date indicated on your CIS.

Option 3 - ONE (1) document that contains your name, date of birth, photo and signature, among these: **1)** passport; **2)** driver's licence; **3)** Canadian military identification document; **4)** identification card issued by a province or territory; **5)** provincial, territorial or federal Correctional Services identity document (with or without a signature); **6)** health card issued by a province or territory if it shows your name, date of birth, photo and signature; **7)** Canadian citizenship card issued prior to February 1, 2012; **8)** Canadian permanent resident card with signature (issued before February 4, 2012); **9)** U.S. permanent resident card. **Your identity document must not be expired.**

Option 4 - More than one of the following documents that, when combined together, contain your name, date of birth, photo and signature: **1)** health card issued by a province or territory; **2)** government employee identification card; **3)** Canadian permanent resident card without signature (issued after February 4, 2012); **4)** U.S. passport card; **5)** NEXUS or FAST card; **6)** firearms license; **7)** U.S. Old Age Security card. **Your identity documents must not be expired.**

Option 5 - ONE (1) identity document listed under option 4 and a Guarantor Declaration form. The guarantor must sign and date the back of one (1) photo.

**Note:** You may include your original identity document(s) (recommended if submitting your application in person) **OR** a copy of the front and back of your identity document(s) and a Guarantor Declaration form (recommended if you send your application by mail). The copies must be signed and dated by the guarantor.

4. Include a copy of **NAME-LINKING DOCUMENT(S) for the parent or legal guardian (section 4)**, if applicable. If your name as it appears on your identity document(s) is not the same as the name that appears on the legal custody or guardianship documents that you are including with this application, or on documents previously provided to the Department (for example, the child's birth certificate that was provided at the time of his or her registration), you must provide a legal document linking your previous name with your current name. Examples of name-linking documents include: a name change certificate, a marriage certificate, a divorce order, or an amended birth certificate with your current name and the names of your parents. If name-linking documents were provided previously, you do not need to provide them again.

5. **If submitting the application by mail**, include a Guarantor Declaration form and follow the instructions on page 1.